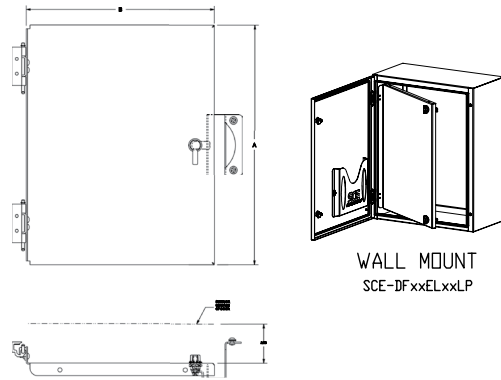


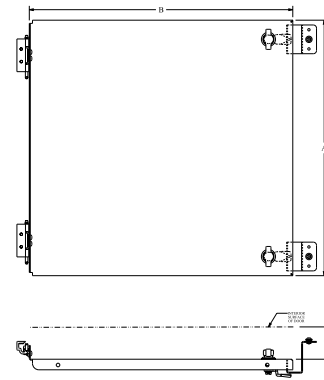
MOUNTING PANELS

DEAD FRONT PANEL FOR WALL-MOUNT ENCLOSURES

Catalog No.	Height	Width	Product Code
SCE-DF20EL16LP	16.00	12.63	P2
SCE-DF20EL20LP	16.00	16.63	P2
SCE-DF24EL20LP	20.00	16.63	P2
SCE-DF24EL24LP	20.00	20.63	P2
SCE-DF30EL20LP	26.00	16.63	P2
SCE-DF30EL24LP	26.00	20.63	P2
SCE-DF30EL30LP	26.00	26.63	P2
SCE-DF36EL20LP	32.00	17.63	P2
SCE-DF36EL24LP	32.00	20.63	P2
SCE-DF36EL30LP	32.00	26.63	P2
SCE-DF36EL36LP	32.00	32.63	P2
SCE-DF42EL24LP	38.00	20.63	P2
SCE-DF42EL30LP	38.00	26.63	P2
SCE-DF42EL36LP	38.00	32.63	P2
SCE-DF48EL24LP	44.00	20.63	P2
SCE-DF48EL36LP	44.00	32.63	P2
SCE-DF60EL36LP	56.00	32.63	P2
SCE-DF72EL36LP	68.00	32.63	P2



WALL MOUNT
SCE-DFxxELxxLP

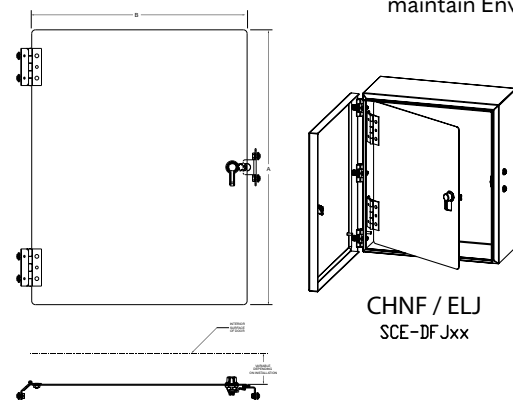


Designed for use in Wall-Mount Enclosures with SCE concealed hinges, to be installed in the front of an enclosure and to swing out of the enclosure. Kit consists of heavy gauge brackets, hinges, and mounting hardware. Installed by detaching door hinge from enclosure and installing swing-out panel kit to the existing holes. Hinge supplied with the enclosure. Made of steel and powder coated white.

Provided with UL Recognized sealing washer to maintain Environmental Rating of the enclosure.

DEAD FRONT PANEL FOR CHNF & ELJ ENCLOSURES

Catalog No.	Height	Width	Product Code
SCE-DFJ1008	8.50	6.50	P2
SCE-DFJ1210	10.50	8.50	P2
SCE-DFJ1212	10.50	10.50	P2
SCE-DFJ1412	12.50	10.50	P2
SCE-DFJ1614	14.50	12.50	P2
SCE-DFJ2016	18.50	14.50	P2

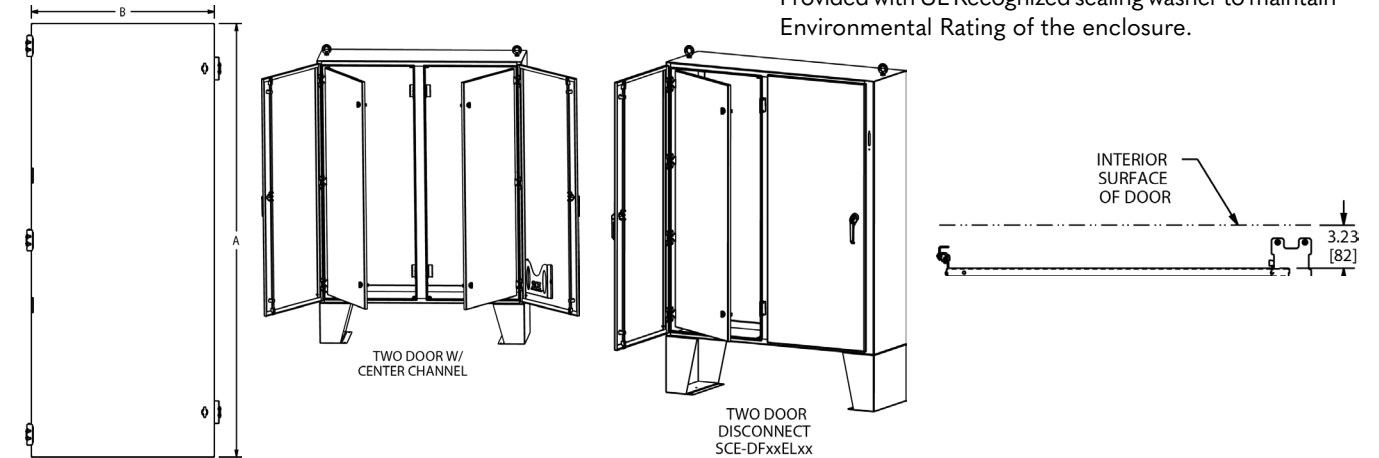


CHNF / ELJ
SCE-DFJxx

MOUNTING PANELS

DEAD FRONT PANEL FOR TWO-DOOR ENCLOSURES WITH CENTER CHANNEL

Catalog No.	Height	Width	Qty Per Kit	Product Code
SCE-DF48EL48	44.00	19.88	1	P2
SCE-DF60EL48	55.50	20.13	1	P2
SCE-DF60EL60	56.00	25.88	1	P2
SCE-DF72EL60	68.00	25.88	1	P2
SCE-DF72EL72	68.00	31.88	1	P2



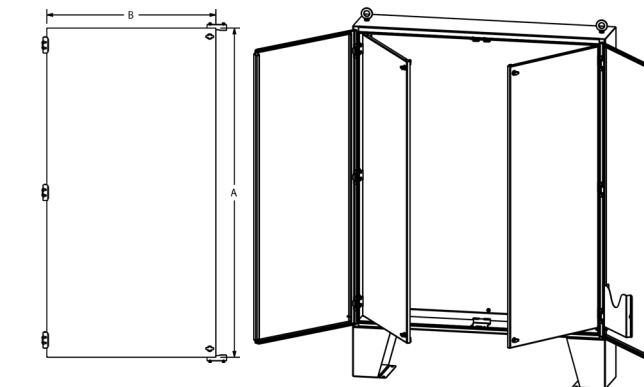
TWO DOOR W/
CENTER CHANNEL

TWO DOOR
DISCONNECT
SCE-DFxxELxx

Designed for installation into Enviroline® Series two-door enclosures with center channel, to be installed in the front of an enclosure and to swing out of the enclosure. Kit consists of heavy gauge brackets, hinges, and mounting hardware. Installed by detaching door hinge from enclosure and installing swing-out panel kit to the existing holes. Hinge is supplied with the enclosure. Made of steel and powder coated white. Kit contains one panel and all hardware for one dead front behind one door.

Provided with UL Recognized sealing washer to maintain Environmental Rating of the enclosure.

DEAD FRONT PANEL FOR TWO-DOOR ENCLOSURES WITH OVERLAPPING DOORS



INTERIOR
SURFACE
OF DOOR

Designed for installation into two-door enclosures with overlapping doors, to be installed in the front of an enclosure and to swing out of the enclosure. Kit consists of heavy gauge brackets, hinges, and mounting hardware. Installed by detaching door hinge from enclosure and installing swing-out panel kit to the existing holes. Hinge is supplied with the enclosure. Made of steel and powder coated white. Kit contains one panel and all hardware for one dead front behind one door.

Provided with UL Recognized sealing washer to maintain Environmental Rating of the enclosure.

Catalog No.	Height	Width	Qty Per Kit	Product Code
SCE-DF6048	56.00	22.13	1	P2
SCE-DF6060	55.50	28.13	1	P2
SCE-DF7260	67.50	28.13	1	P2
SCE-DF7272	68.00	34.13	1	P2

DEAD FRONT EXTENSION BRACKETS FOR WALL-MOUNT ENCLOSURES

Designed to increase the distance from the door to the dead front. Brackets can be used when additional space is required when mounting parts to the dead front. Five brackets provided per kit.

Catalog No.	Description	Product Code
SCE-115259	For use with Wall-Mount Enclosures with SCE concealed hinges	P2

